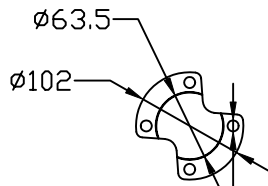
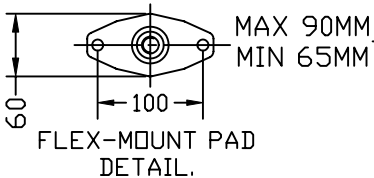
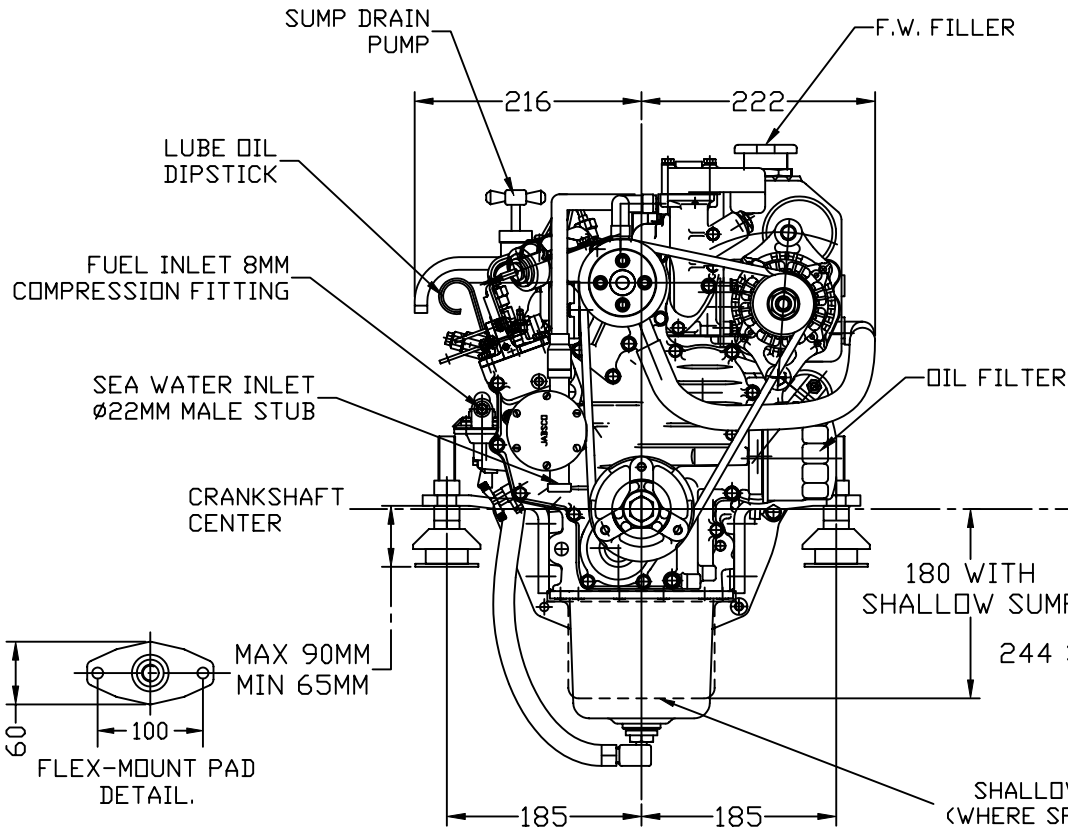


PROP TAKEOFF DETAILS



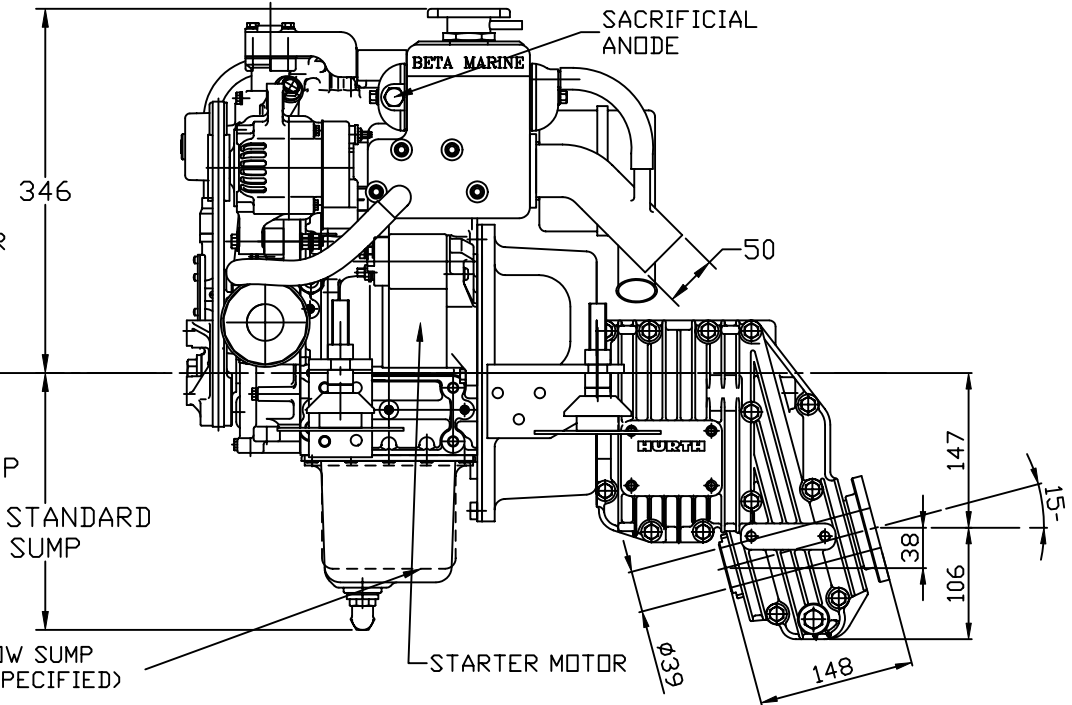
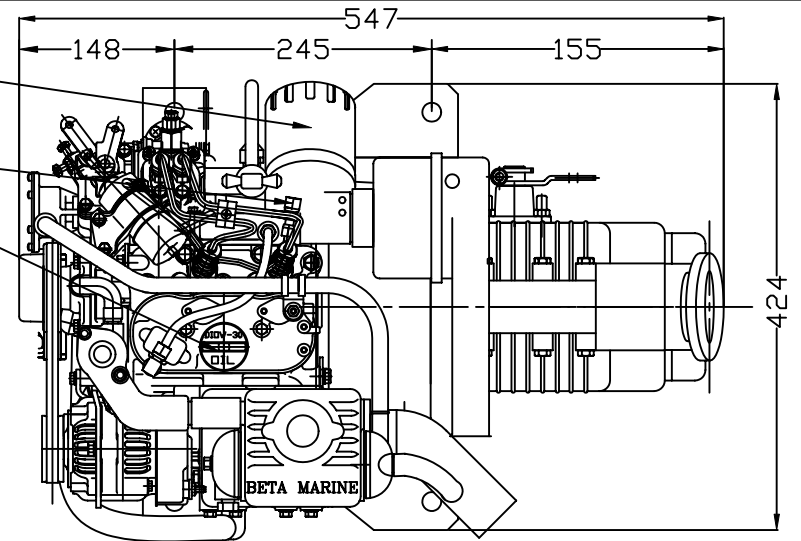
4 HOLES Ø11 EQUI-SPACED
ON 82.5 P.C.D.



FLEX-MOUNT PAD
DETAIL.

FUEL RETURN 8MM
COMPRESSION FITTING

OIL FILLER CAP



REV	DESCRIPTION	DATE	APP'D	NOTES

BETA MARINE

DRAWN BY: TW
CHECKED BY: L.F.T

COMPLETE UNIT			
BZ482 - H/E - HBW150-V			
TITLE			
GENERAL ARRANGEMENT			
SIZE	DWG NO.	REV	
SCALE	NTS	DATE	24/01/01