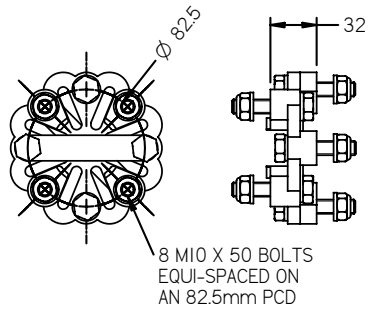
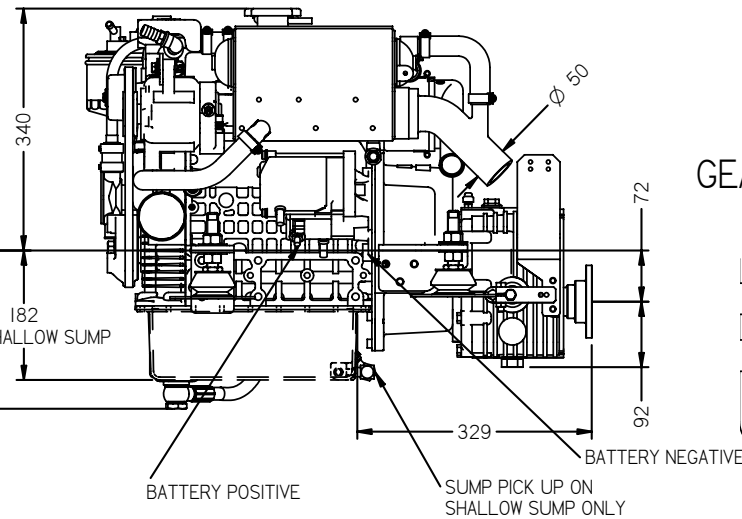
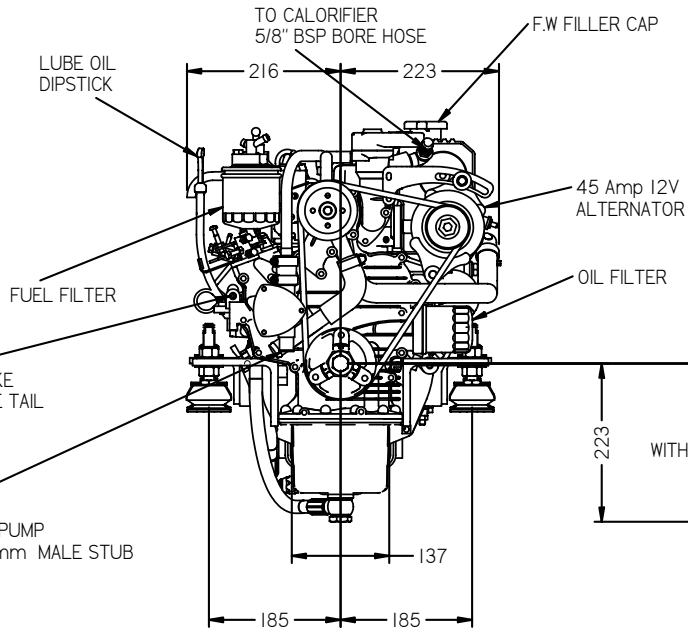
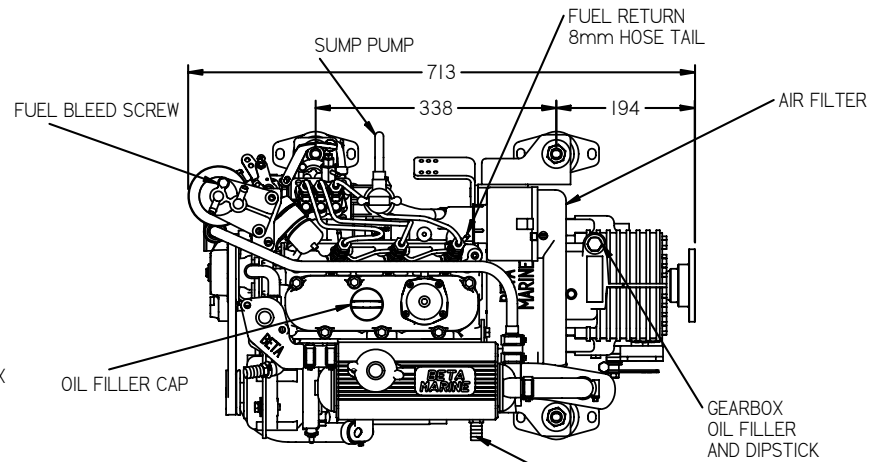
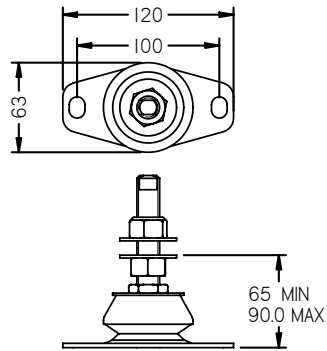


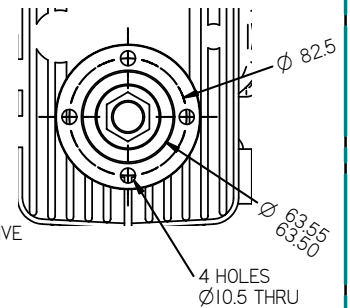
FLEXIBLE COUPLING DETAILS



FLEXIBLE MOUNT DETAILS



GEARBOX OUTPUT



REV	DESCRIPTION	DATE	APP'D	DRAWN	NOTES
01					

DIMENSIONS IN MM (INCH)  
DO NOT SCALE

BETA MARINE LTD.  
MERRETT'S MILLS,  
BATH ROAD,  
SOUTH WOODCHESTER,  
STROUD, GLOS. GL5 5EU

TEL: (01453) 835282 FAX: (01453) 835284

TITLE **BETA 25 (BD902) HEAT EXCHANGE  
PRM80 GEARBOX**

DRAWN BY: TW  
CHECKED BY: LT

SIZE A4  
SCALE

DWG NO. **100-06876**

REV 00

PAGE 1 of 1  
DATE 05/10/2006