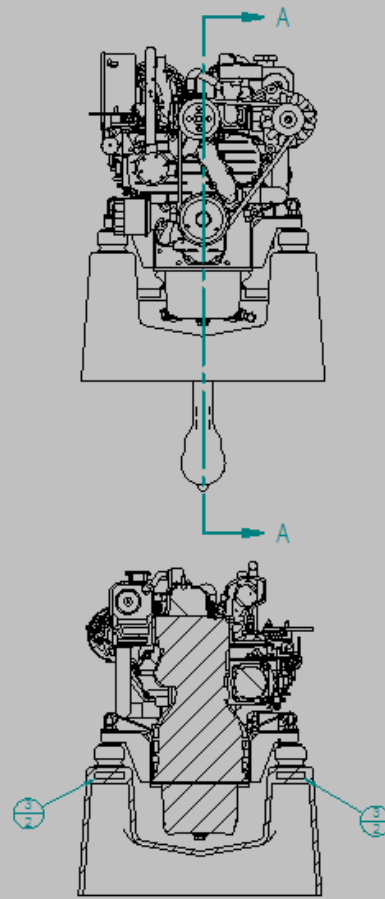
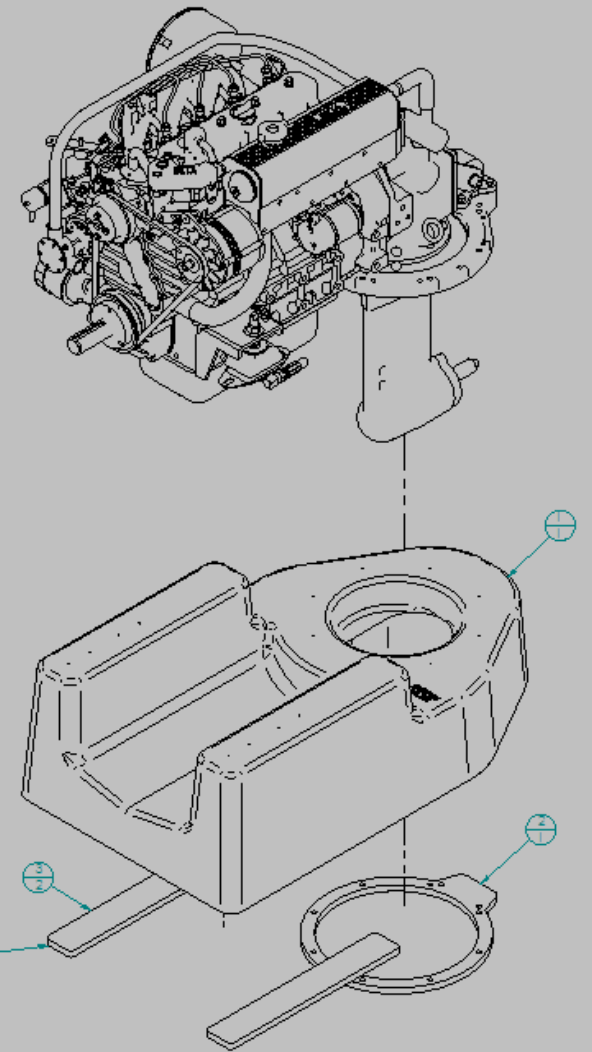


SECTION A-A



SECTION B-B



PADS TO BE MOULDED INTO BASE

Item Number	Document Number	Title	Quantity
1	2012-06 575	LARGE SEAPROP 60 ORP BASE	1
2	2012-06 591	SEA PROP 60 SEALING RING	1
3	100-	STAINLESS STEEL PADS	2

REV	DESCRIPTION	DATE	APPD	DRWING
01				

NOTES		TITLE	
DIMENSIONS IN MM (INCH) DO NOT SCALE		MATERIAL	
BETA MARINE		DRAWN BY: timw	SIZE A4
BETA MARINE LTD. 1480 RITA HILLS, SOUTH ROAD, SOUTH WOODCHURCHES, STROUD, GLOS GL6 5RU		CHECKED BY:	DWG NO.
TEL: 01452 622260	FAX: 01452 622266	SCALE NTS	PAGE 1 of 1
			DATE 06/10/2005